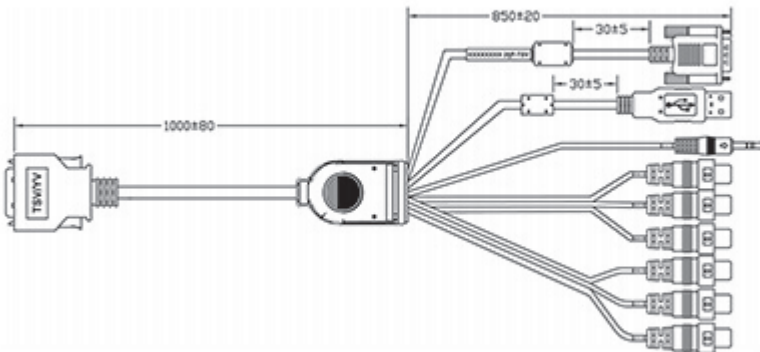


CABLE-26P-TSV 26-PIN TSV Series Monitor HDMI, VGA, DVI & AV Input Cable - 1.8M - For 700TSV, 705TSV, 706TSA, 800TSV, 802TSV, 805TSV, and 1020TSV Series



Description

26-PIN TSV Series Standard Length 1.8 Meter (**5.91ft/180cm**) Monitor HDMI, VGA, DVI & AV Input Cable for 700TSV, 705TSV, 706TSA, 800TSV, 802TSV, 805TSV, and 1020TSV. Note: Only works with the above mentioned models. **Not for TSH Series.** Please make sure your monitor has the **26-PIN connector**. Older versions of the Xenarc Technologies monitor could have the **20-PIN connector** if it's a few years old. Monitor cable connects All HDMI, VGA, DVI & AV Video Inputs. See Functional Diagram below.

Related Products:

700TSV

705TSV

706TSA

800TSV

802TSV

805TSV

1020TSV

Features

26-PIN TSV Series Standard Length 1.8 Meter (5.91ft/180cm) TSV Monitor HDMI, VGA, DVI & AV Input Cable

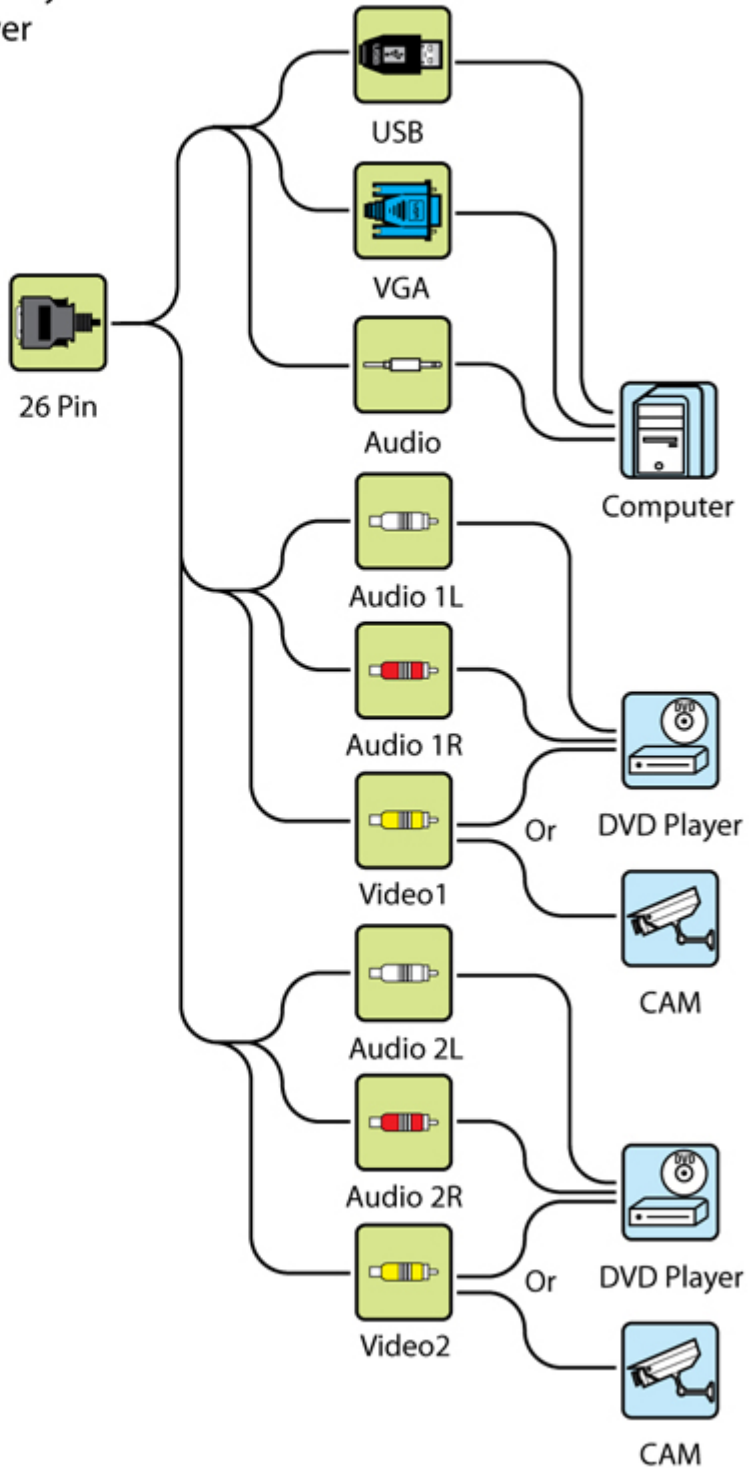
Function Diagram

How does it work?

- Connect the included cable to the Monitor
- Connect the connectors to your devices
- Install Touch Screen Driver



[TSV SERIES]



Package Contents

26-PIN TSV Series Standard Length 1.8 Meter (5.91ft/180cm) TSV Monitor HDMI, VGA, DVI & AV Input Cable