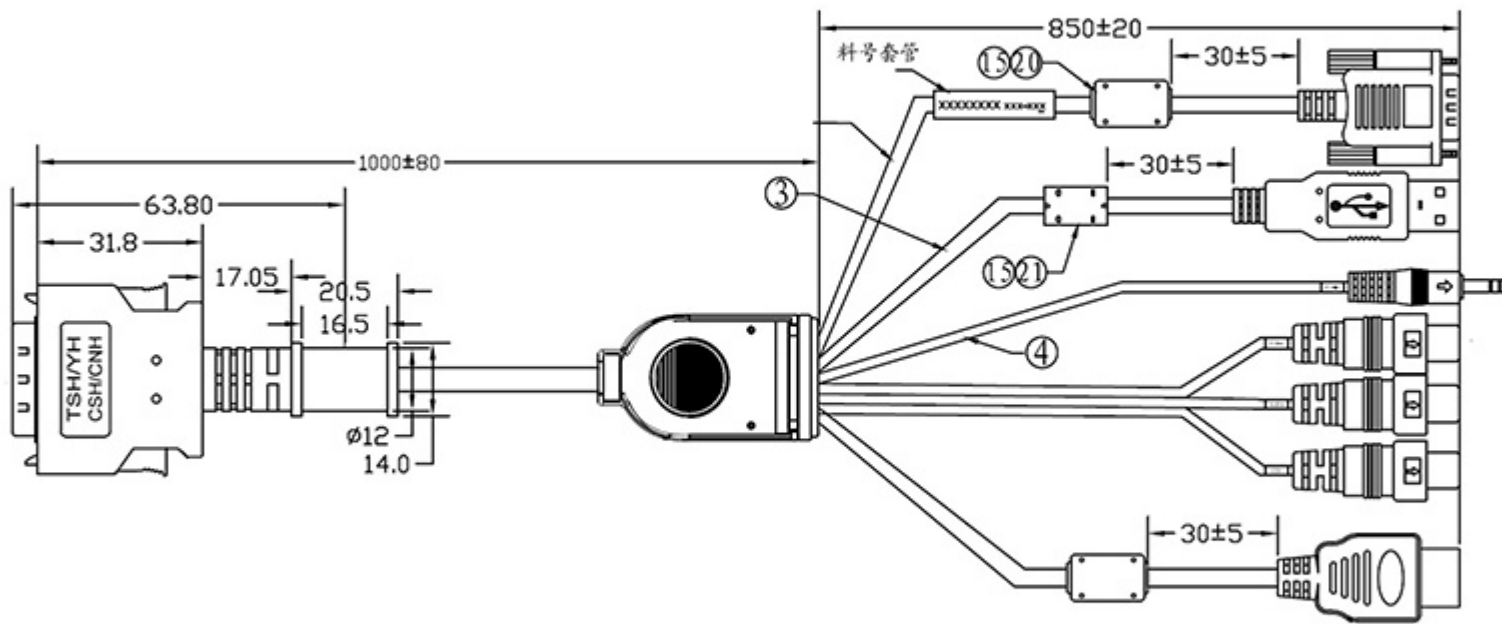


CABLE-IP-26P-TSH 26-PIN TSH/CSH/CNH/GSH Series Monitor HDMI, VGA, DVI & AV Input Cable - 1.8 METER



Description

26-PIN Standard Length **1.8 Meter (5.91ft/180cm)** TSH/CSH/CNH/GSH Monitor HDMI, VGA, DVI & AV Input Cable for 700TSH, 700CSH, 702CSH, 702GSH, 709CNH, 802TSH, 1020TSH, 1022TSH, 1029CNH, 1219GNC, 1219GNH, 1219GNS, 1569GNH. Note: Only works with the above mentioned models. Not for TSV Series or 1029GNH. Monitor cable connects to HDMI, VGA, DVI & AV Video Inputs.

Related Products:

700TSH

700CSH

702CSH

702GSH

709CNH

802TSH

1020TSH

1022TSH

1029CNH

1219GNC

1219GNH

1219GNS

1569GNH

Features

26-PIN Standard Length 1.8 Meter (5.91ft/180cm) TSH/CSH/CNH/GSH Monitor HDMI, VGA, DVI & AV Input Cable

Function Diagram

26-PIN TSH/CSH/CNH/GSH Series Monitor HDMI, VGA, DVI & AV Input Cable - 1.8 METER

Image not found

<http://www.xenarc.com/image.php?type=FD&id=17664>

Package Contents

26-PIN Standard Length 1.8 Meter (5.91ft/180cm) TSH/CSH/CNH/GSH Monitor HDMI, VGA, DVI & AV Input Cable