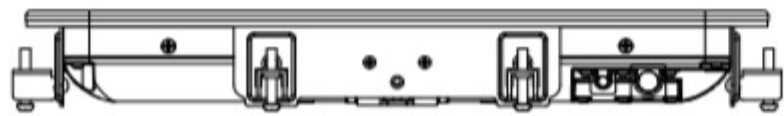
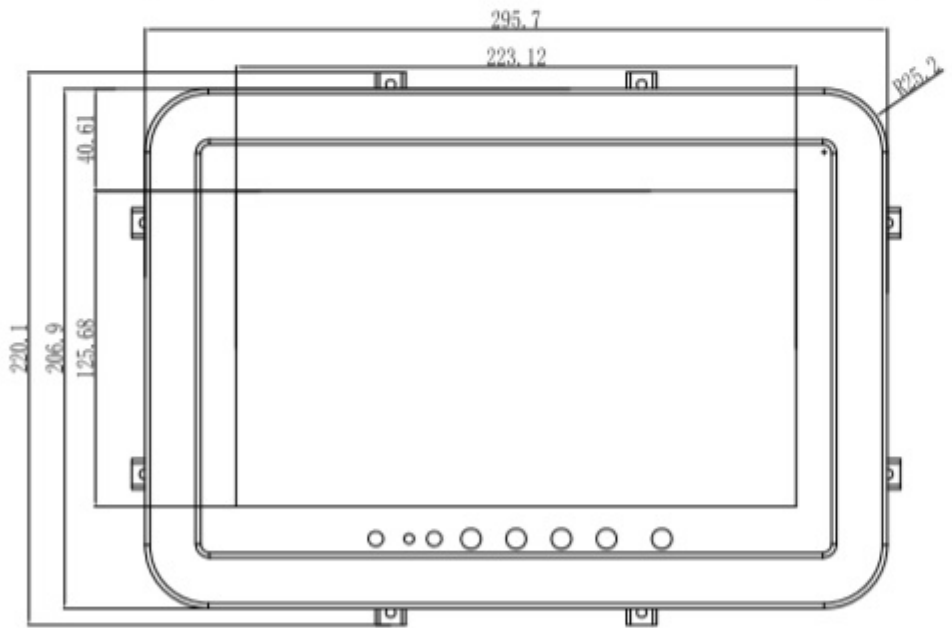
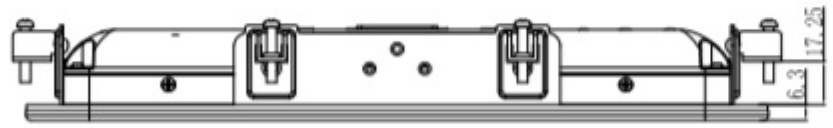
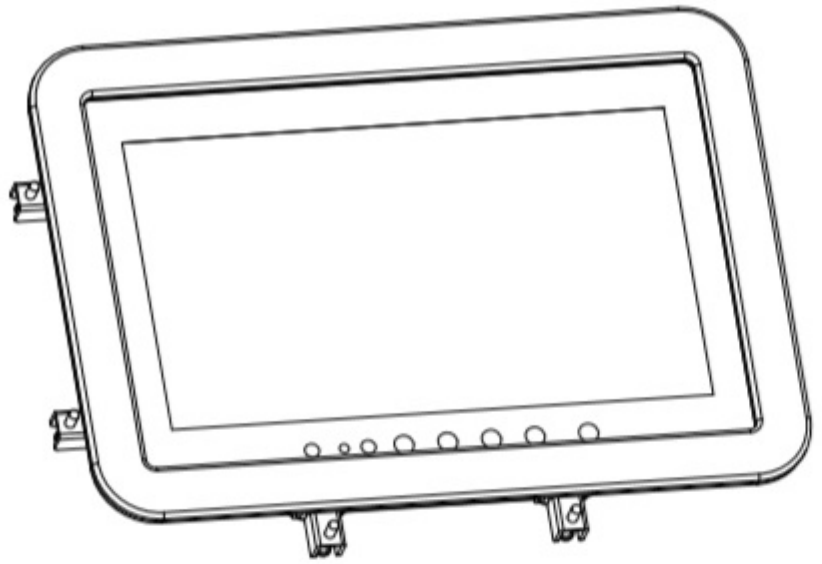


PMB-1029 Panel Mount Bracket and Gasket for 1029 series monitors



Description

Panel Mount Bracket for 1029 series for Panel Mount Industrial Monitors and Touch Screens.

1. Remove two M2.6*5 screws from the bottom of the L bracket. 2. Place the monitor into the PMB-1029 P

Image not readable or empty

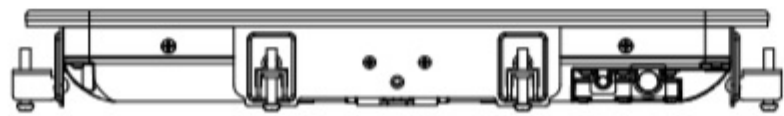
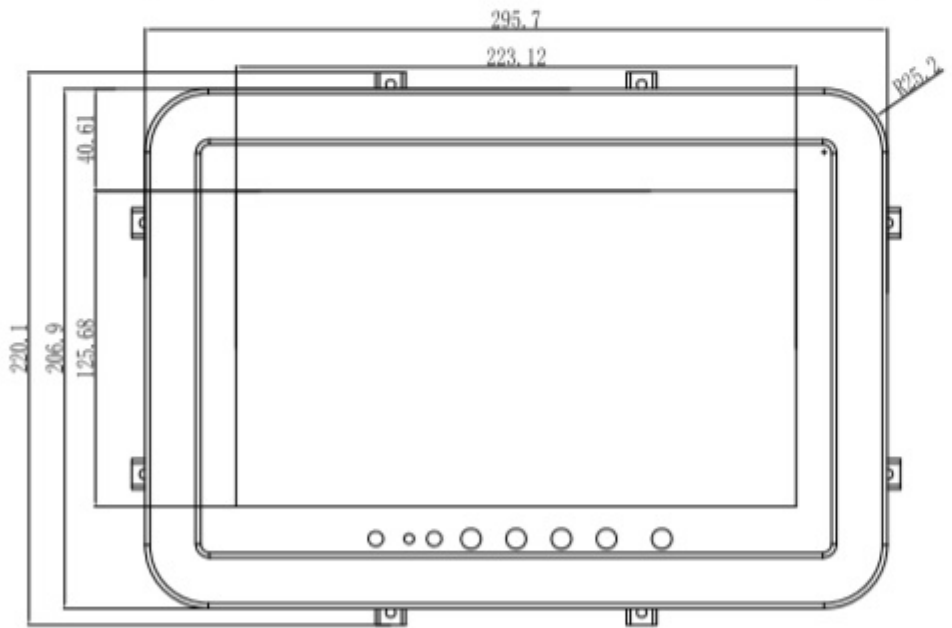
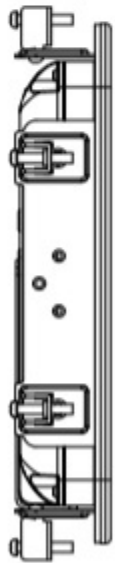
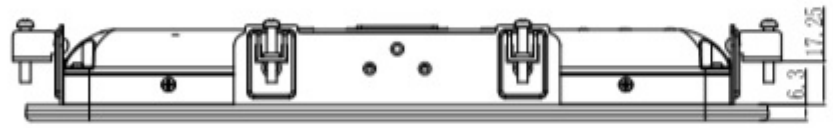
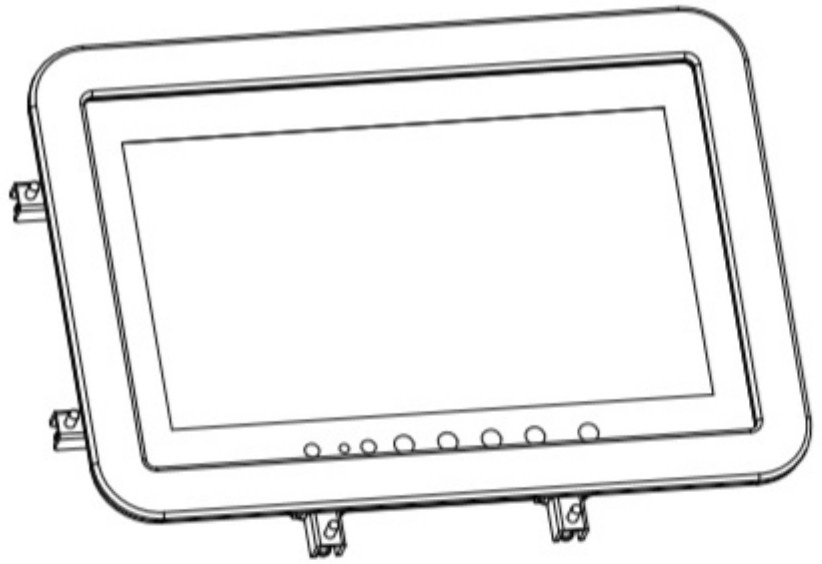
/images/CKEDIT/PMB1029-%20-%20Panel%20Mount%20Bracket%20for%20the%201029%20Series%20Installation%20Instructions%20.jpg

Related Products:

1029GNH

1029CNH

Function Diagram



Package Contents

Panel Mount Brackets Panel Mount Gasket