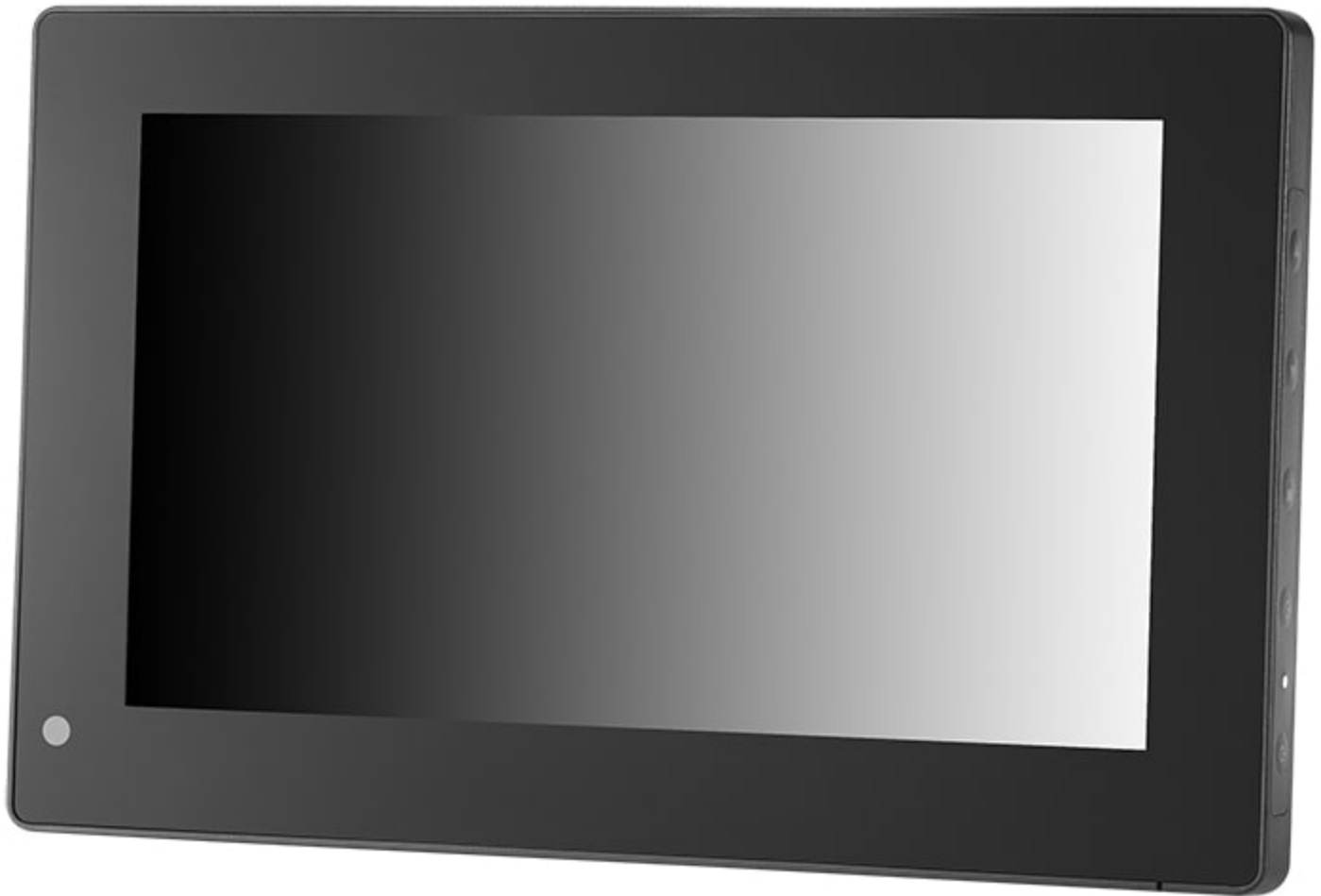


892CFH 8" Front IP65 Sunlight Readable Capacitive Touchscreen LCD Monitor with HDMI Inputs



Description

NOTE: This 8" Monitor is now special order only. For something readily available without MOQ, please take a look at the 892GFC which is the same but with an additional USB-C Input.

The 892CFH is the first of its kind, vibration proof, HDMI display, built specifically for industrial, integrator, and in-vehicle use. Anything thrown its way in tough and rugged environments, this

display is built to deal with them. The front panel of this sleek, 8", 16:9 capacitive touch screen is IP65/NEMA4 rated for water and dust intrusion. With a 1000 NIT rated brightness, this monitor can be viewed in any outdoor application, even under direct sunlight. With an industry leading operating temperature range of -35C ~ 85C, there is no situation the 892CFH wouldn't be able to handle.

Vibration has always been an issue when it comes to industrial and in-vehicle use. The 892CFH tackles this issue by incorporating a built in bracket that allows integration using either a 90 or 180 degree plug that will lock into place, securing all cables (HDMI, USB) in place, resistant to any movement or vibration the display may encounter. The capacitive touchscreen also provides further ruggedness and responsiveness than standard resistive touch panels. It achieves this by using the capacitance of human skin to detect proximity or position of the input. Proximity sensing allows the touch interaction to work even if protective glass or coating is used over the touch display. The IP65 rating on the front panel of this 8 inch monitor provides protection against solid objects and liquids. To further its ease of integration, this unit is panel mountable and has VESA standard mounting holes on the back that allow the display to be used with any VESA standard mount. The 892CFH truly has all of the bases covered for any industrial or vehicular application where vibration would be a concern for other display interfaces.

Why do our 8" Rugged monitor solutions outlast other displays in extreme conditions? Why do our 8" rugged monitor displays have a wider temperature range and a wider voltage input range? It is because our mission is to offer our System Integrators, Automators and Engineers the best small form factor display products for any situation. By utilizing high grade industrial components, this 8 " **Rugged Display HDMI Touch Screen monitor** is perfect for industrial, in-car computing applications or any other applications where a small, durable, environmentally rugged display is required, including but not limited to:

- **Transportation** - Marine, Air, Heavy Vehicles, Mining, Weigh Stations, Fleet Management, Telematics, In-Car Computing, Public Transit, Cargo
 - **System Integration** - Machinery Controls, Factory Automation, Environmental Monitoring, Home Automation, Military, Smart Home
 - **Point of Sale** - Hospitality, Digital Signage, Self-Service Kiosks, Outdoor Kiosks and Signage, Casino
 - **Data Monitoring** - Cloud, IoT, Medical, Logistics, Inventory Management, Oil & Gas/Utilities, Law Enforcement, Broadcasting, Veterinary, First Person View
 - **Broadcast & Production** - Broadcast Stations, Mobile Production Vehicles, Field Rugged Deployment for your mobile workforce, Studio Video Production
-
- **Sunlight Readable – Ready for all environments**
 - **Front Waterproof/Dustproof– Built to Stringent IP65 Standards**
 - **Bonded Glass – Optically Enhanced for clarity and viewability**
 - **Multiple Inputs – 2 HDMI**
 - **Automatic Dimming – Built in Ambient Light Sensor**
 - **Superior Image – Scalable resolution up to 1080P**
 - **Extreme Temperature Range**

Features

- IP65 / NEMA4 Rated Water and Dust Resistance (Front Only)
- Extreme Operating Temperature range of -31°F ~ 185°F (-35°C ~ 85°C)
- 1,000NIT Sunlight Readable with Long Life LED Backlight
- Wide Viewing Angle IPS (In-Plane Switching) LCD Panel
- Automatic Backlight Adjustment through Built-in Ambient Light Sensor
- Projected Capacitive Multi-Touch Touchscreen (USB)
- Anti-Reflective and Anti-Fingerprint Coating
- Plug-N-Play with Windows 7 and up and Android devices (Downloadable drivers for other OS)
- Multi-Monitor Touchscreen Support
- HDMI Input x 2 (HDCP)
- DVI Input through included DVI to HDMI Adaptor
- Built-In Speaker
- 1280x720 Native Resolution, 16x9 Aspect Ratio
- Solid Capacitors for Improved Durability
- High Performance Image and Video Signal Processor
- **AISS** - Advanced Image-Scaling and Shaping
- Last Input and Power Setting Memory
- IR Remote Control
- Auto Power-On upon signal detection
- Vertical Image Flip
- Function to Disable Front Button(s) and On Screen Text
- VESA 75mm Mounting Holes
- Panel Mountable with optional hardware (Part #: PMB-892)
- Connector Locking through included metal bracket to secure connectors against vibration
- Supports 9V DC ~ 36V DC
- "E" Mark Certified for Automotive use
- FCC, CE, E49 Certification
- ROHS, REACH, ECE R118-03 Compliant
- 36 Month/3 Year Warranty
- 30 Day No dead Pixel Guarantee

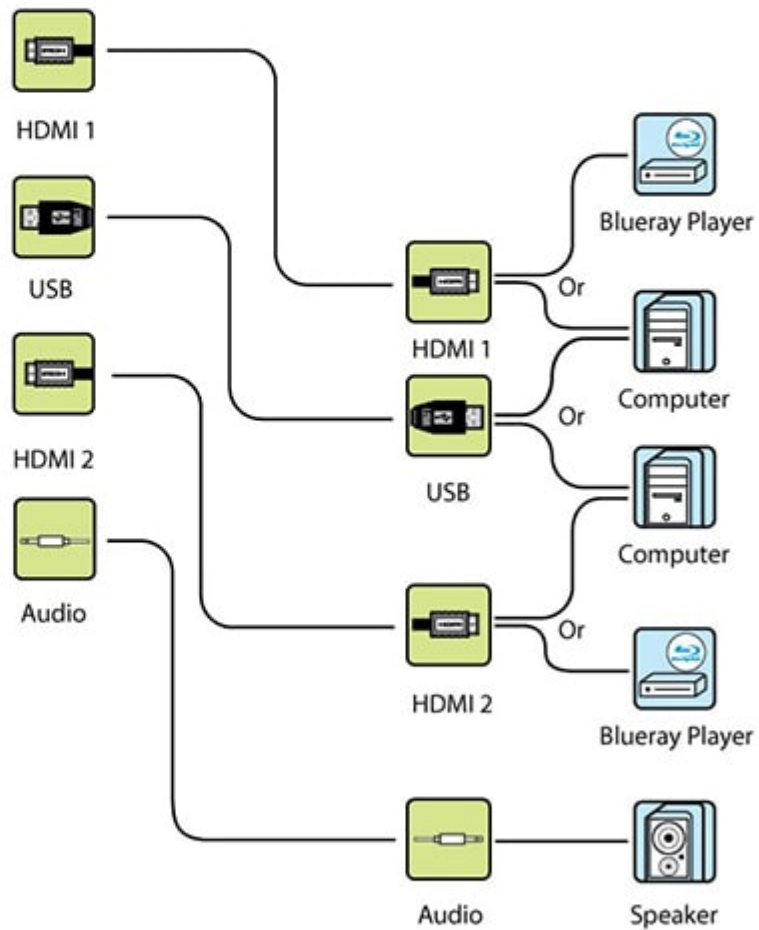
Function Diagram

How does it work?

- Connect the included cables to the Monitor
- Connect the connectors to your devices
- Install Touch Screen Driver if needed



[CFH Series]



XENARC
TECHNOLOGIES

Package Contents

- Choice of AC Adaptor or Cigarette Lighter Car Adaptor or 5M Power Lead
- Choice of 1.8 Meter HDMI Cable or 5M HDMI Cable that is designed to work with our metal bracket to secure against vibration. Cable has 90 degree Connector on one end and 180 degree Connector on the other end and either connector can be secured by our metal bracket.
- Choice of 1.8 Meter USB Cable or 5M USB Cable that is designed to work with our metal bracket to secure against vibration. Cable has 90 degree Connector on one end and 180 degree Connector on the other end and either connector can be secured by our metal bracket.

Specification

- Screen Size: Diagonal 8" (16:9)
- Physical Resolution: 1280 (H) x 720 (V) HD
- Supported Resolution: 640 x 480 ~ 1920 x 1080
- Dot Resolution: 3840 x 720 = 2,764,800 (dots)
- Brightness: 1000 cd/m²
- Contrast Ratio: 1000:1
- Viewing Angle: 170° Horizontal, 170° Vertical
- Response Time (Tr/Tf): 15/10ms (Typ.)
- Touch Screen Interface: USB port
- Operating Voltage Range: DC 9V ~ 36V
- Power Supply: DC 12V
- Power Consumption: ? 20W
- Operating Temperature: -31°F ~ 185°F (-35°C ~ 85°C)
- Storage Temperature: -40°F ~ 203°F (-40°C ~ 90°C)
- MTBF (Mean Time Between Failures): > 55,000 Hours or > 6.2 Years of continuous operation
- Dimension (mm): 220.7W x 142.7H x 33D
- Weight (lb): 1.89